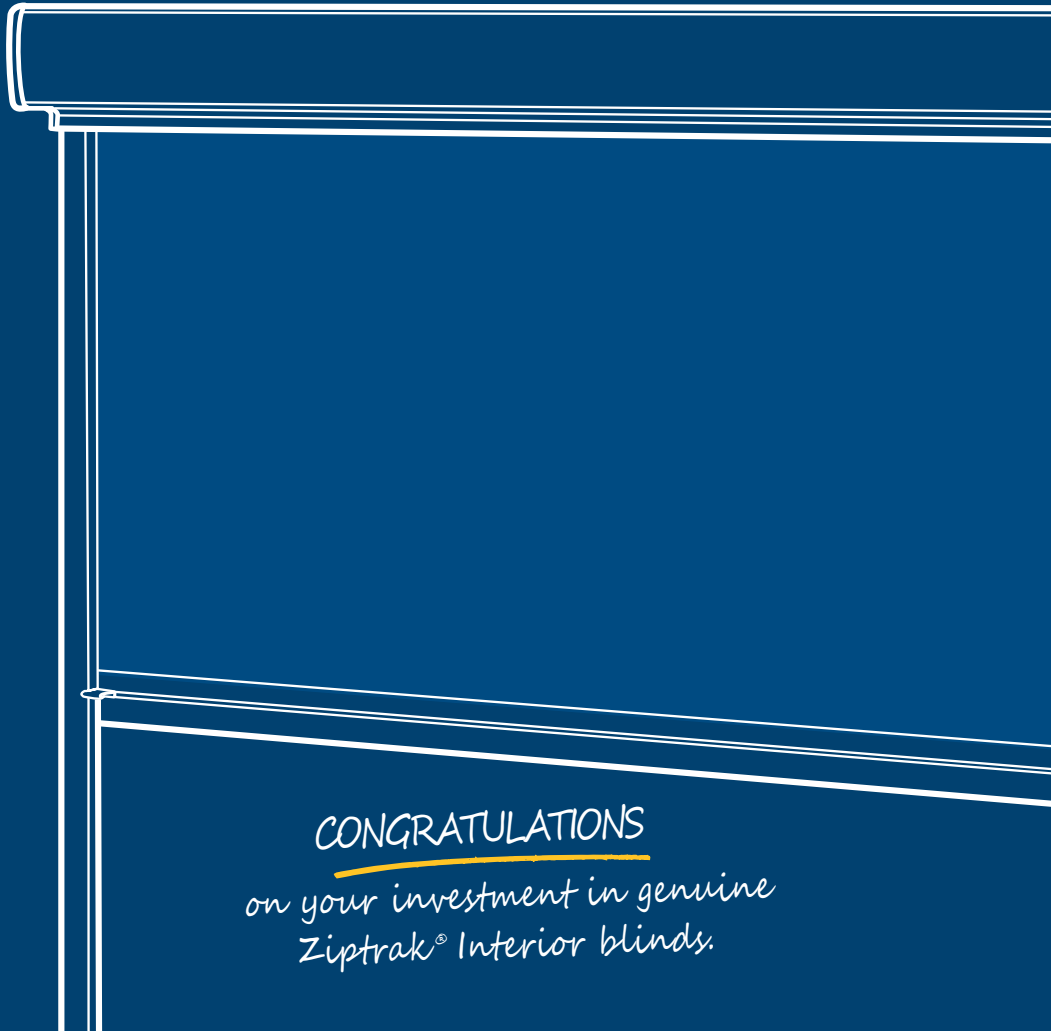




**Ziptrak**<sup>®</sup> Interior  
TRACK GUIDED BLIND SYSTEM

# User Guide

AUSTRALIA'S FAVOURITE TRACK-GUIDED BLIND SYSTEM



CONGRATULATIONS

*on your investment in genuine  
Ziptrak<sup>®</sup> Interior blinds.*

## OPERATION

Ziptrak® blinds are easy and simple to use, providing a smooth glide for years of care-free operation. If it is difficult to raise or lower your blind for no obvious reason, please contact your Ziptrak® retailer.

### Spring-balanced

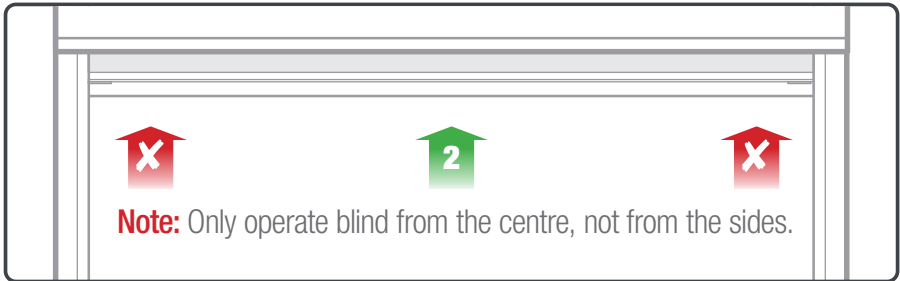
Spring-balanced blinds allow you to easily lower or raise the blind, with a sophisticated spring that supports the weight of the blind. The blind should be hand-operated from the centre of the bottom bar. This ensures the material rolls evenly onto the top tube. The blind should always glide smoothly and easily along the track.

### Motorised

Motorised blinds are operated by utilising the remote control provided and must be supervised while moving. Refer to the remote control instructions for operating guidance. Motorised blinds cannot be hand-operated and doing so may damage the blind. Unless your motorised blinds are solar powered, they will not operate during a power outage. Please refer to the windy conditions section for further information on how to operate with an open window.

## ZIPTRAK® BLINDS CAN BE LEFT AT ANY HEIGHT

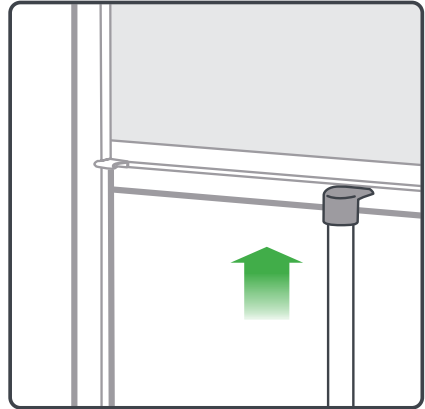
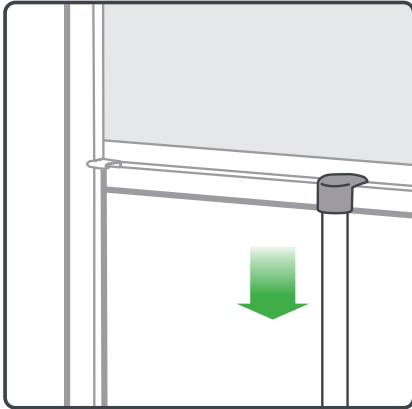
### 1 Retract the blind



### 2 Lower to the preferred height



## HOW TO USE THE PULL STICK



When operating the blind using a pull stick, the pull stick should only be placed in the centre of the bottom bar to push/pull the blind up or down. Pressure should only be applied on the lip of the bottom bar.

## WINDY CONDITIONS

**Ziptrak® Interior Blinds is a finely engineered solution for home privacy. To extend the life of your system please adhere to the following instructions.**

Motorised Ziptrak® blinds must be supervised whilst raising and lowering at all times. Care must be taken when operating the blinds whilst the window is open, in this case, the blind should be left partially raised to reduce the pressure caused by wind currents, especially when having block out blinds. Avoid closing the blind completely when the window is open. If windy conditions

occur while raising or lowering the blind use your hand to push against the fabric to reduce the pressure and then operate the blind.

Installation is crucial to determining the performance of your blind. For further information, please speak with your retailer, or visit the Ziptrak® website.

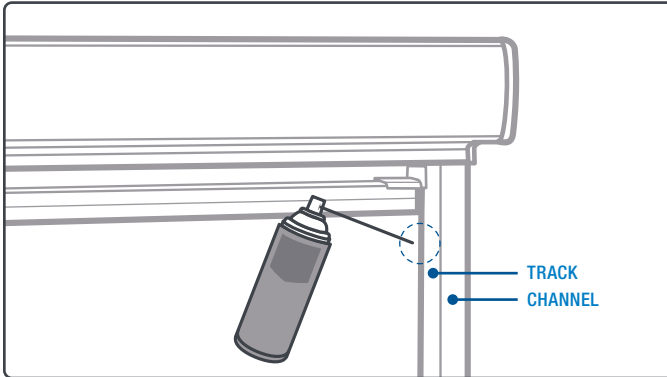
## CLEANING

The Ziptrak® Interior system and hardware can be matched with a variety of interior blind fabrics. The skin material 'fabric' is not a product of Ziptrak Pty Ltd. Please speak with your retailer to receive complete care instruction for cleaning and maintenance from the relevant manufacturer.

## MAINTENANCE

In general, Ziptrak® blinds should not require additional lubrication by the owner. However, in dusty and seafront locations, approximately once a year you may wish to add lubricant to assist in the continued smooth operation of the blind. **You must use silicone spray, such as food grade Helmar H4000.**

To apply, open the blind all the way; evenly apply the spray directly on the groove between the spline and the track, on both the left and right sides. After lubrication, open and close the blind several times to evenly distribute the silicone spray within the track.



It is very important that you do not use any oil based lubricants such as WD40, as they will damage the spline tape and clog the dust that may be within the track.

## WARRANTY

Please contact your retailer to discuss their warranty period and inclusions. Ziptrak® provides retailers with a 5-year warranty of all the components on the Ziptrak® outdoor system. If you have any questions or concerns regarding the performance, operation or maintenance of your blind system, or require replacement parts, please contact your retailer. Alternatively, contact Ziptrak® customer support.

## Your local Ziptrak® expert